

Rosários 4[®]

280

Autumn . Winter

Bete



DESIGN
ISABEL NASCIMENTO
isanasfelttoamao

MEIA



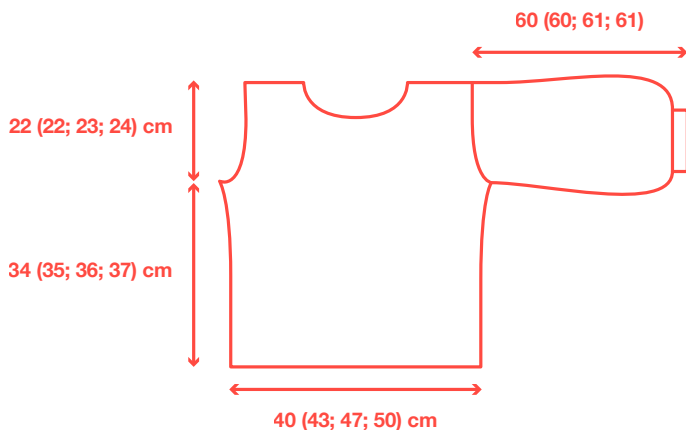
70% Merino
Wool

30%
Polyamide

Bete

280

Autumn . Winter



YARN

6 (6, 6, 7) skeins of **MEIA** by Rosários 4, in colour 05 - **COLOUR A** (70% merino wool, 30% polyamide; 50g/185m).

2 (2, 2, 2) skeins of **MEIA PRINT** by Rosários 4, in colour 101 - **COLOUR B**.

GAUGE

27 stich and 41 rows - 10x10 cm in stockinette stitch with 3mm needles, washed and blocked (*it's important to wash and block your swatch in order to get the correct gauge*).

NEEDLES

2,5 mm and 3 mm circular needles (*if necessary, adjust the needle size to match the gauge*).

NOTIONS

Stitch marker, tapestry needle, waste yarn.

SIZES

XS, S, M, L.

NOTES

In this pattern you knit separately, front and back. After joining these two parts, the sleeves are knitted using the sleeves technique (short rows). Finally the collar is knitted.

INSTRUCTIONS

BACK

With 2,5 mm needles and **COLOUR A**, cast on 111, (121, 131, 141) sts.

Row 1 (RS): P1, (K1tbl, P1) to end.

Row 2 (WS): K1, (P1tbl, K1) to end.

Rep the last 2 rows 8 times, ending with a WS row.

Change to 3 mm needles, beg with row 17.

Row 17 (RS): K2 with **COLOUR B** and K to the end with **COLOUR A**, and increase (in all sizes) 10 stitches evenly, 121, (131, 141, 151).

Row 18 (WS): with **COLOUR A** P119 (129, 139, 149), with **COLOUR B** P2.

Row 19 (RS): K3 with **COLOUR B** K cast on with **COLOUR A**.

Row 20 (WS): P with **COLOUR A**, P3 with **COLOUR B**

Repeat the last 2 rows (19 and 20) until piece measures approx. 35 cm (37, 38, 39), being careful to knit one more stitch with **COLOUR B** in every RS rows to draw a diagonal line of colour.

SHAPE ARMHOLES

On the next row, start knitting the armholes as follows:

Decrease 7 (7, 9, 9) sts at the beginning of the next 2 rows (one row from the RS and the other from the WS) 107, (117, 123, 133).

Row 1 (RS): K2, SSK, K to last 4 sts, K2tog, K2.

Row 2 (WS): P to end.

Rep the last 2 rows 6 times 95 (105, 111, 115).

Work until the piece measures 55 cm (56, 58, 60).

SHAPE NECKLINE

On the next row, leave the 37 (37, 37, 39) middle sts on hold and shape the neckline as follows:

Right shoulder:

Row 1 (RS): Knit.

Row 2 (WS): P until the end.

Row 3 (RS): K2, k2tog, K to the end.

Row 4 (WS): P until the end.

Place right shoulder sts on hold.

Left shoulder:

Row 1 (RS): Knit.

Row 2 (WS): P until the end.

Row 3 (RS): K, k2tog, K2.

Row 4 (WS): P until the end.

Place left shoulder sts on hold. Piece should measure approx. 56 (57, 59, 61) cm.

280

Autumn . Winter



PURE NEW WOOL



ISO 9001

40
YEARS

Rua das Grutas, 13 - Apartado 123, 2485-069 Mira de Aire - Portugal
Tel. +351 244 447 300 Fax +351 244 447 309
info@rosarios4.com www.rosarios4.com

FRONT

With 2,5 mm needles and **COLOUR A**, cast on 111, (121, 131, 141) sts.

Row 1 (RS): P1 (K1tbl, P1) to end.

Row 2 (WS): K1 (P1tbl, K1) to end.

Rep the last 2 rows 8 times, ending with a 2nd row.

Change to 3 mm needles, beg with row 17.

Row 17 (RS): K2 with **COLOUR A** and **COLOUR B** at end, and increase (in all sizes) 10 stitches evenly, 121 (131, 141, 151).

Row 18 (WS): P with **COLOUR A**, P2 with **COLOUR B**.

Row 19 (RS): K3 with **COLOUR A** K with **COLOUR B** to the end, and work chart A (bobble).

Row 20 (WS): P with **COLOUR A**, P3 with **COLOUR B**.

Rep the last 2 rows (19 and 20) until piece measures approx. 35 cm (37, 38, 39), being careful to knit one more stitch with **COLOUR B** in every RS rows to draw a diagonal line of colour and **CHART A**.

SHAPE ARMHOLES

Cast off 7 (7, 9, 9) sts at beg of next 2 rows 107 (117, 123, 133).

Row 1 (RS): K2, SSK, K to last 4 sts, K2tog, K2.

Row 2 (WS): P to end.

Rep the last 2 rows 6 times 95 (105, 111, 121).

Work until the piece measures 47 cm (49, 51, 52).

SHAPE NECK

On the next row form the neckline as follows: leave the 21 (21, 21, 23) central stitches on hold, in a thread to finish the neckline and finish each shoulder separately.

Continue to form the diagonal colour and in the next row, on the right side, knit:

Right neck:

Row 1 (RS): K until the end.

Row 2 (WS): P until the end.

Row 3 (RS): K2, SSK, K until the end.

Row 4 (WS): P until the end.

Rep the last rows (3, 4) two times (decrease 6 sts).

Row 9 (RS): K2 SSK, K until the end.

Row 10 (WS): P until the end.

Rep the last rows (9, 10) two times (decrease 3 sts).

Left neck:

Row 1 (RS): K until the end.

Row 2 (WS): P until the end.

Row 3 (RS): K until 4 to end K2tog, K2.

Row 4 (WS): P until the end.

Rep the last rows (3, 4) two times (decrease 6 sts).

Row 9 (RS): K until 4 sts to end, K2tog, K2.

Row 10 (WS): P until the end.

Rep the last rows (9, 10) two times (decrease 3 sts).

Work until the piece measures 56 cm (57, 59, 61).

JOIN SHOULDERS

On the wrong side, join the left shoulder with three needle bind-off. Place the stitches of the left shoulder (back), waiting on an auxiliary needle; place 2 needles (back and front of the left shoulder) in parallel in the left hand, with the back of the work facing outwards; finish off the back stitches by joining them with the respective front of the work. Repeat the procedure for the right shoulder.

SLIDE SEWS

Join the front with the back, on both sides, sewing the side selvedge with an invisible stitch on the right side using **COLOUR A**. It is convenient to start sewing at the waistband and ascend along the side selvedge of the piece until reaching the armhole.

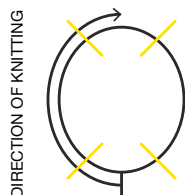
ASSEMBLY

Sew the shoulder seams inside the bind-off edge and sew the side seams, sew in the outermost loop of the outermost stitch so the seams are flat.

SLEEVE (top down)

At the top of the sleeve we are going to pick up stitches around the armhole and work short rows to shape the shoulder. Then with the circular needle (using "magic loop") we work the length of the sleeve.

Pick up stitches around the armhole, starting at the base and moving in a clockwise direction (green line).



With **COLOUR A** and 3 mm needles, pick up 7 (7, 9, 9) sts over the bind-off stitches of the armhole, pick up between 118 and 128 sts and 7 (7, 9, 9) sts over the 7 (7, 9, 9) bind-off sts of the armhole (132 to 142 sts).

Place marker at the beginning of the row, divide the number of sts by 4 and place 4 markers (according to the diagram) then work until the first marker, wrap and turn, we have the WS side facing us, we work until the next marker, wrap and turn (we have the RS facing us). We work up to the wrapped stitch, we unwrap and wrap the next one (WS facing). We work until the next wrapped stitch. Whenever we arrive at a wrapped stitch, we will unwrap it and wrap the next one.

When we have worked all the armhole stitches we start to work in the round.

Work 5 rounds and then decrease 1 st on each side of the marker. We repeat these decreases every 5 rounds until reaching the desired length of the sleeve (finish with 5 rounds without decreasing). K2tog to the end of round. Change to the 2,5 mm needles, and knit the edge of the sleeve as follows:

Change to 2,5 mm needles and knit:

Round 1: K1, P1 to end.

Round 2: K1tbl, P1 to end.

Round 3: K1, P1tbl to end.

Rep 2nd and 3rd rounds, 8 times.

Bind off in rib.

NECK

With **COLOUR A** and the 2,5mm circular needle, kip up from the right side approx. 110 to 120 stitches around the neckline (including the front and back stitches). Knit as follows:

Round 1: K1, P1 to end.

Round 2: K1tbl, P1 to end.

Round 3: K1, P1tbl to end.

Rep 2nd and 3rd rows 8 times.

Bind off in rib.

ABBREVIATIONS

K: knit

P: purl

cm: centimeters

Rep: repeat

approx.: approximately

RS: right side

WS: wrong side

st/sts: stitch/stitches

Rnd/rnds: round/rounds

K1tbl: knit 1 st through back loop

P1tbl: purl 1 st through back loop

K2tog: knit 2 stitches together

SSK: slip, slip, knit (*slip a stitch as if to knit, slip a second stitch as if to knit, insert left needle into the front of the slipped stitches and knit*)

beg: begin



MEIA PRINT Colour 101
(70% Merino Wool, 30% Polyamide)



PURE NEW WOOL



ISO 9001

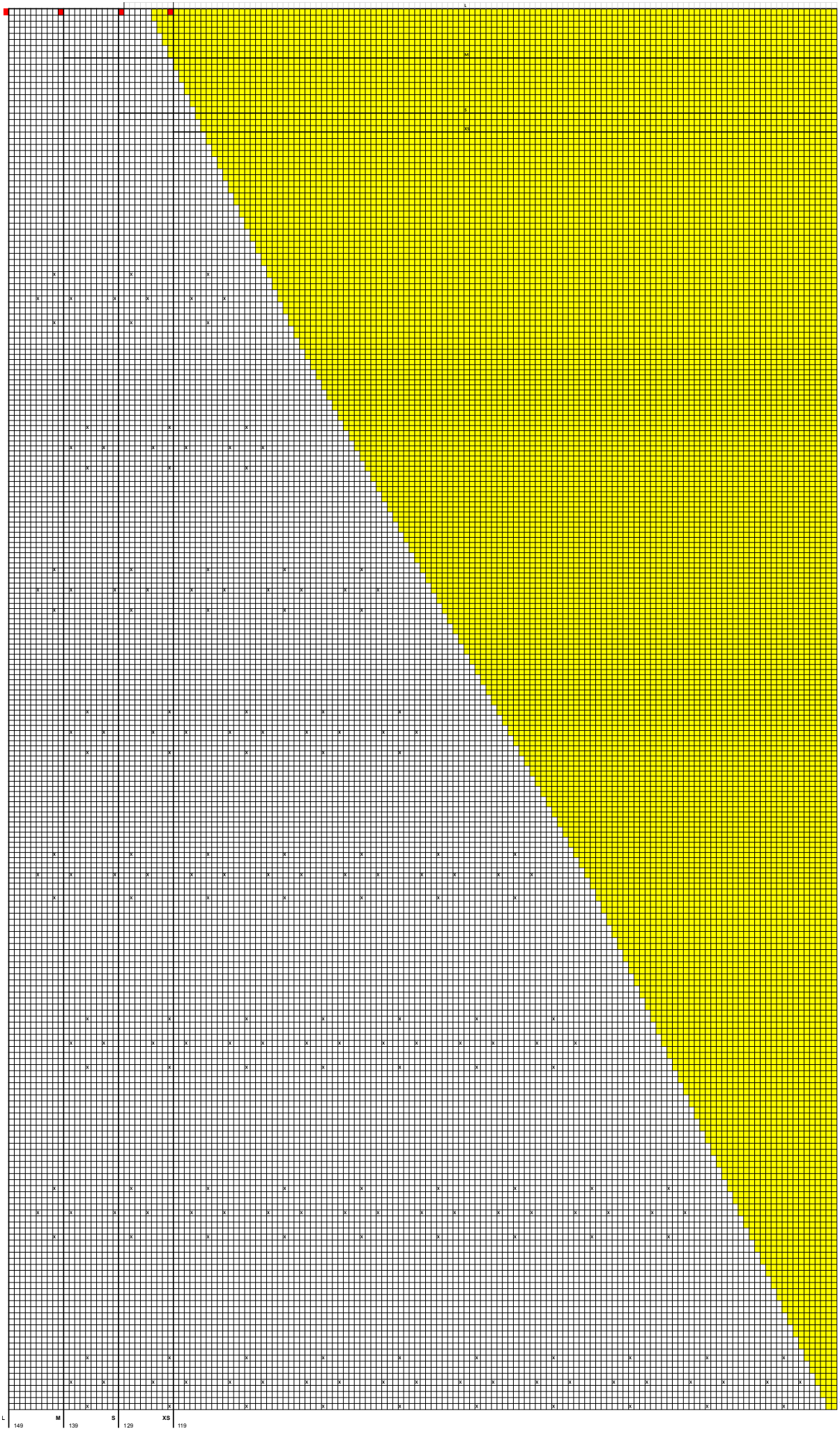
40
YEARS

Rua das Grutas, 13 - Apartado 123 - 2485-059 Mira de Aire - Portugal
Tel. +351 244 447 300 - Fax +351 244 447 309
info@rosarios4.com www.rosarios4.com

CHART A

280

Outono . Inverno



KEY: Make bobble - knit in the front, back, front, back, front of the same stitch; slide 5 sts to the left needle; K5, repeat 3 more times; K3tog, K2tog; pass the second st on the right needle over the first st.

Colour A Colour B



40 YEARS

Rua das Grutas, 13 - Apartado 123 2485-059 Mira de Aire - Portugal
 Tel. +351 244 447 300 Fax +351 244 447 309
 info@rosarios4.com www.rosarios4.com