

Rosários 4[®]

230

Kids Collection

Candy Cardigan



CANDY


100% Natural
Origin Fibres


90% Long
Fibre Cotton

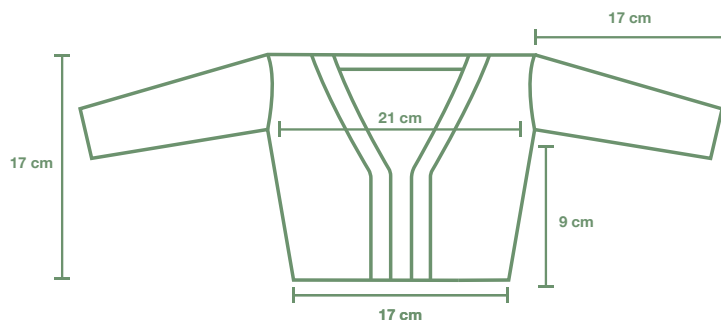
10% Cashmere

DESIGN:
LUÍSA LÓ

Candy Cardigan

230

Kids Collection



YARN

2 balls of Rosários 4 Candy yarn (50g/140m).

NEEDLES

Knitting needles 3mm.

NOTIONS

1 button.

SIZE

0 – 3 months.

INSTRUCTIONS

BACK

Cast on 62 sts and work the following 12 rows (waistband) with cables:

Row 1 (RS): *K2, P2, K4, P2*; repeat instructions between * * until the last 2 sts, K2.

Row 2: work sts as they appear.

Row 3: repeat row 1.

Row 4: repeat row 2.

Row 5: *K2, P2, C4B, P2*; repeat instructions between ** until the last 2 sts, K2.

Row 6: work sts as they appear.

Row 7: repeat row 1.

Row 8: repeat row 2.

Row 9: repeat row 5.

Row 10: repeat row 6.

Row 11: repeat row 1.

Row 12: repeat row 2.

Body

Work 7cm in stockinette stitch.

Armholes

RS of the work:

Row 1: K1, SKP, knit until the last 3 sts, K2tog, K1.

Row 2: purl.

Repeat these 2 rows a total of 4 times. There should be 54 sts on the needles.

Work 6 cm in stockinette stitch and bind off all stitches.

LEFT FRONT

Cast on 32 sts and work the following 12 rows (waistband) with cables:

Row 1 (RS): *K2, P2, K4, P2*; repeat instructions between * * until the last 4 sts, P4.

Row 2: work sts as they appear.

Row 3: repeat row 1.

Row 4: repeat row 2.

Row 5: *K2, P2, C4B, P2*, repeat instructions between ** until the last 4 sts, P4.

Row 6: work sts as they appear.

Row 7: repeat row 1.

Row 8: repeat row 2.

Row 9: repeat row 5.

Row 10: repeat row 6.

Row 11: repeat row 1.

Row 12: repeat row 2.

Body

RS of the work:

Row 1: K22, P2, C4B, P4.

Row 2: K4, P4, K2, purl until the end.

Row 3: K22, P2, K4, P4.

Row 4: K4, P4, K2, purl until the end.

Repeat these 4 rows 5 times total and then repeat row 1 and row 2 one time.

Armhole and neckline

RS of the work:

Row 1: K1, SKP, K17, K2tog, P2, K4, P4.

Row 2: K4, P4, K2, purl until the end.

Row 3: K1, SKP, K17, P2, C4B, P4.

Row 4: K4, P4, K2, purl until the end.

Row 5: K1, SKP, K14, K2tog, P2, K4, P4.

Row 6: K4, P4, K2, purl until the end.

Row 7: K1, SKP, K12, K2tog, P2, C4B, P4.

Row 8: K4, P4, K2, purl until the end.

Row 9: K13, K2tog, P2, K4, P4.

Row 10: K4, P4, K2, purl until the end.

Row 11: K12, K2tog, P2, C4B, P4.

Row 12: K4, P4, K2, purl until the end.



PURE NEW WOOL



ISO 9001

40 YEARS

- Row 13:** K11, K2tog, P2, K4, P4.
Row 14: K4, P4, K2, purl until the end.
Row 15: K12, P2, C4B, P4.
Row 16: K4, P4, K2, purl until the end.
Row 17: K10, K2tog, P2, K4, P4.
Row 18: K4, P4, K2, purl until the end.
Row 19: K11, P2, C4B, P4.
Row 20: K4, P4, 2M, purl until the end.
Row 21: K9, K2tog, P2, K4, P4.
Row 22: K4, P4, K2, purl until the end.
Row 23: K10, P2, C4B, P4.
Row 24: K4, P4, K2, purl until the end.
Row 25: K8, K2tog, P2, K4, P4.
Row 26: K4, P4, K2, purl until the end.
Row 27: K9, K2tog, C4B, P4.
Row 28: K4, P4, K2, purl until the end.
Row 29: K7, K2tog, P2, K4, P4.
Row 30: K4, P4, K2, purl until the end.
Row 31: K8, P2, C4B, P4.

Shoulder

Bind off **8 sts** and continue with the remaining 10 always following the stitches and cables for 6 cm more.

RIGHT FRONT

Cast on 32 sts.

Row 1: P4, K4, P2, *K2, P2, K4*, repeat instructions between * * until the end.

Row 2: *P2, K2, P4*, repeat instructions between * * until the end.

Continue the right front following the instructions of the left front but reversing the decreases.

SLEEVES

Cast on 32 sts and work the following 12 rows (waistband) with cables:

Row 1: *K2, P2, K4, P2*; repeat instructions between * * until the last 2 sts, K2.

Row 2: P2, *K2, P4, K2, P2*; repeat instructions between * * until the end.

Row 3: repeat row 1.

Row 4: repeat row 2.

Row 5: *K2, P2, C4B, P2*; repeat instructions between * * until the last 2 sts, K2.

Row 6: repeat row 1.

Row 7: repeat row 2.

Row 8: repeat row 1.

Row 9: repeat row 2.

Row 10: repeat row 5.

Row 11: repeat row 1.

Row 12: repeat row 1.

Work 6 rows in stockinette stitch and make the following increase: K1, increase 1, knit until the last stitch, increase 1, K1.

Make this increase every 4th row until you have 48 sts on the needle and the sleeve measures 15 cm from the beginning.

Armholes

RS of the work:

Row 1: K1, SKP, knit until the last 3 sts, K2tog, K1.

Row 2: purl.

Repeat these two rows a total of 4 times. There should be 40 sts on the needles.

Bind off all stitches.

FINISHING

Sew back shoulders with front shoulders sewing also the 6 cm cable straps on the back.

With a crochet hook make a ring and apply it on the right side, inside the neckline. Sew 1 button.

ABBREVIATIONS

M: meia

L: liga

aum: aumento (*levantar o fio que se encontra entre as malhas, colocá-lo na agulha esquerda e tricotar em meia pela parte de trás do fio*)

Macv: malha acavalada (*passar 1 malha sem fazer, tricotar a seguinte e passar por cima a que passou*)

K2tog: 2 malhas tricotadas juntas em meia

RS: right side

C4B: cable 4 back

SKP: slip 1, knit 1, pass slipped stitch over

CANDY

(90% Long Staple Cotton, 10% Cashmere)

Candy is a soft yarn, perfect for delicate, comfortable baby knits. The structure of this yarn results beautifully in this cardigan, which combines stockinette stitch with cables and rib stitch.



Colour 17



PURE NEW WOOL



ISO 9001

40
YEARS